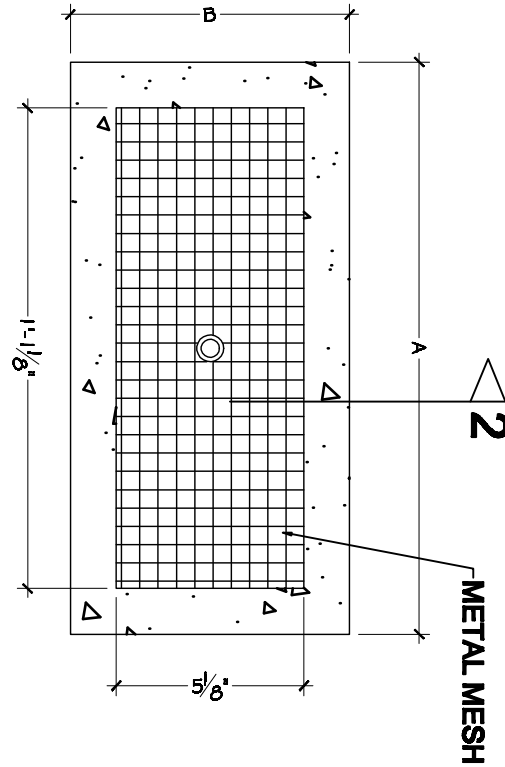
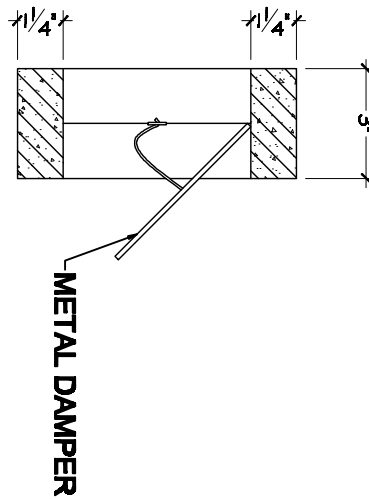


1 Foundation Vent - Front View



2 Vertical Section



Approved by: _____ Date: _____

These are shop drawings:
After reviewing, please sign and fax to
Renaissance Cast Stone at (405) 563-9065

For fit or quality problems with this drawings,
Please contact Renaissance Cast Stone at (405)-514-4780

COPYRIGHT PROTECTED
These Shop Drawings are the creation of Renaissance Cast Stone
Any reproduction of this design in any form without
written consent from Renaissance Cast Stone is forbidden.

DATE
12-04-16

PROD.

DRAWN BY: J.R. REV BY: GA

CUSTOMER:

Renaissance Cast Stone

2135 SW 19th St. Oklahoma City, OK 73108

PROJECT
Foundation Vent

COLOR (CIRCLE ONE)

Phone # (405) 514-4780

Fax # (405) 563-9065

EMAIL
office@renaissancecaststone.com

MJ= 1/4" TYP.