

Colors



Buff



Dark Buff



White

3 available colors

Technical

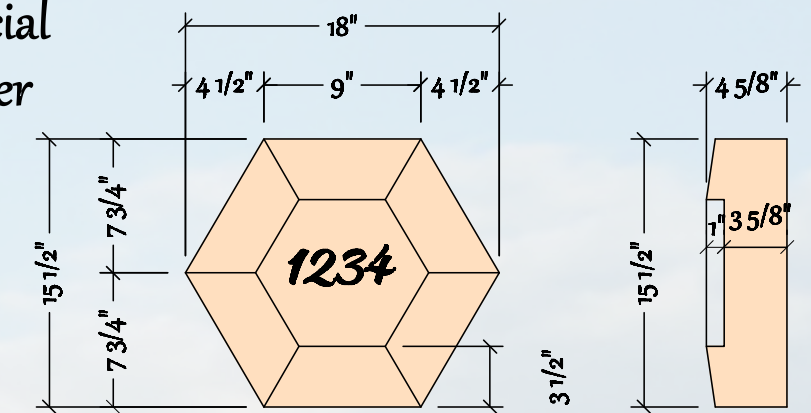
Address blocks can have street name and number. The numbers are sandblasted and painted, and can be easily read from the curb of most streets.

Most Custom font styles are available. Where one to three numbers are needed, a larger font can be used. Fonts used are script or block.

Sizes available: 9" x 16"
12" x 16"
12" x 20"

Technical

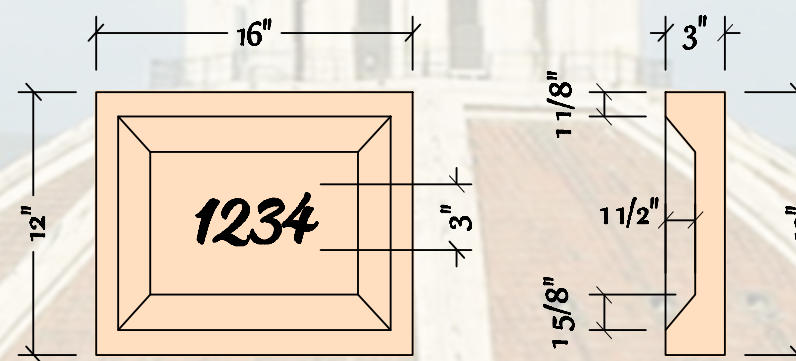
Special Order



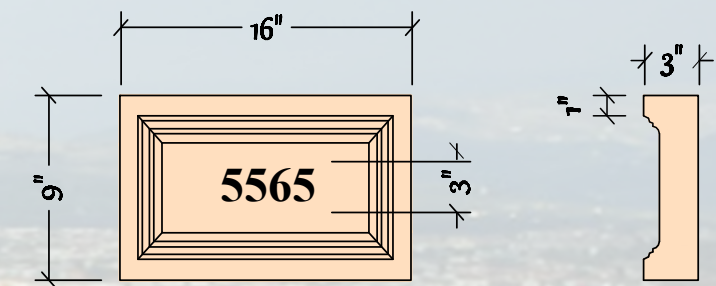
③ Accent



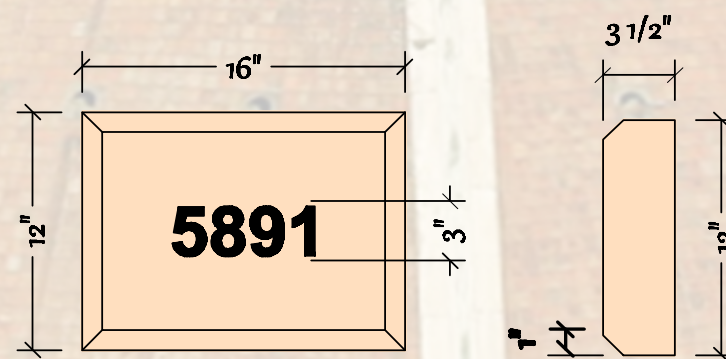
Samples



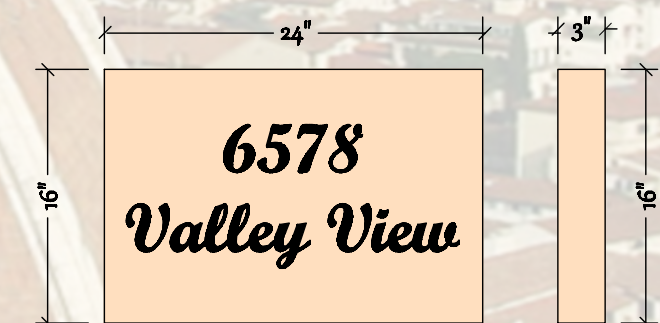
① Recessed



④ Beveled



② Chamfered



⑤ Flat

Similar Products



Logo blocks and plaques

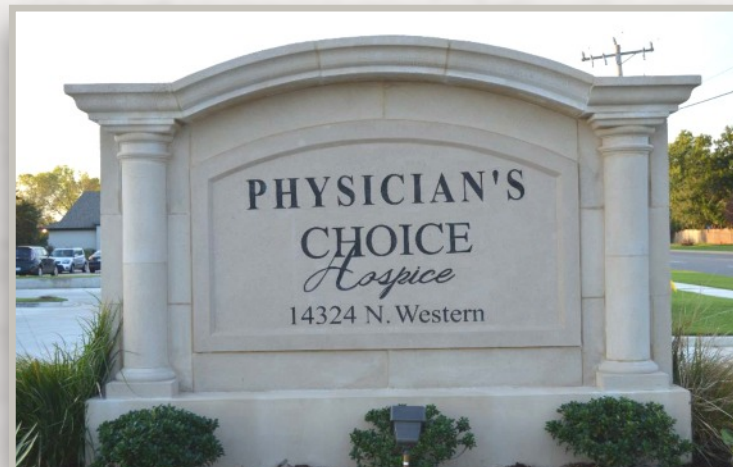
Travertine custom plaque signs



Company name & logo plaques



Cast stone custom signs



Information

An address block is a plaque that has been inscribed with a property's street number, the street number and name, or even logo or symbol. With multiple size and design options available, cast stone address blocks are a good solution for making your property address visible from the street. Cast stone address blocks can be used in full masonry applications such as a brick and rock mailbox surround, or can be used in a thin veneer application such as stucco or thin cut rock veneer.

Cast Stone address blocks (markers) are installed in the brick or stone veneer of a home or building. They can be placed near the front door, over a garage, window, or other entrance, or in a brick mailbox on the street.

Other similar products:

- Logo blocks and plaques
- Company name & logo plaques
- Travertine custom plaque signs
- Cast stone custom signs



Note

Lettering is engraved into cast stone and painted.

Contact Information

2135 SW 19th St. • Oklahoma City, OK 73108
 Office (405) 514-4780 • Fax: (405) 563-9065
 For Eastern Oklahoma / Arkansas:
 Call Dan Rudder 469-556-6179
 Email: office@renaissancecaststone.com
 www.renaissancecaststone.com



RENAISSANCE
Cast Stone



Address Blocks

Custom Cast Stone Product

